

# SHP350-30-TRIAL

Semi-Solid-State



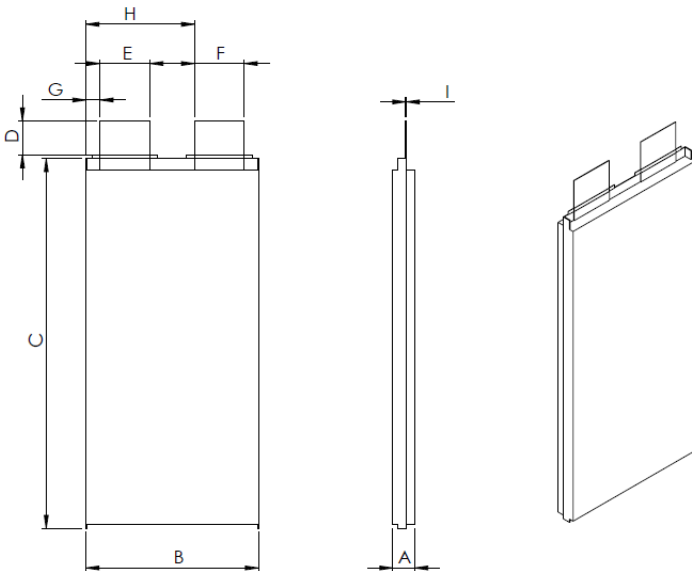
## Capacity / Voltages

<b>Typical</b>	30.00 Ah	<b>Voltages</b>	Nominal	3.60 V
	108.00 Wh		Maximal	4.20 V
			Minimal	2.50 V

## Characteristics

<b>Discharging</b>	Ultrafast	3 C	<b>Charging</b>	Ultrafast	1.5 C
	Fast	2.5 C		Fast	1 C
	Standard	0.33 C		Standard	0.33 C
<b>Temperatures</b>	Discharge	-20-55°C	Charge	0-45°C	
<b>Energy Density</b>	Gravimetric	346 Wh/kg	Volumetric	800 Wh/l	

## Dimensions



<b>A</b>	Thickness	10.6 ± 0.3 mm
<b>B</b>	Width	74 ± 1 mm
<b>C</b>	Length	172 ± 2 mm
<b>D</b>	Tab length	19 ± 4mm
<b>E</b>	Tab width	25 ± 0.5mm
<b>F</b>	Tab width	25 ± 0.5mm
<b>G</b>	Tab margin	6.5 ± 2mm
<b>H</b>	Tab margin	42.5 ± 2 mm
<b>I</b>	Tab thickness +	0.3 ± 0.05 mm
<b>I</b>	Tab thickness -	0.2 ± 0.05mm
	Weight	312 ± 10g

The information contained herein is for reference only and does not imply a performance guarantee or a product warranty. Specifications and characteristics are subject to change without prior notice. General tolerance according to ISO 2768-m-K. For more information and detailed specifications, please request the extended datasheet.

