

# SHP270-22

Semi-Solid-State



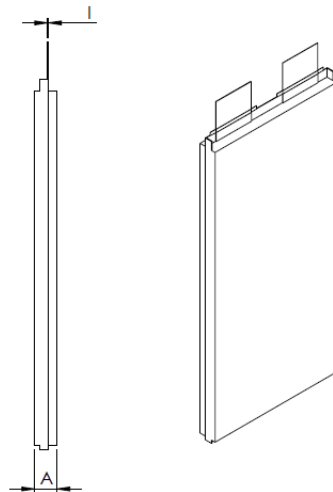
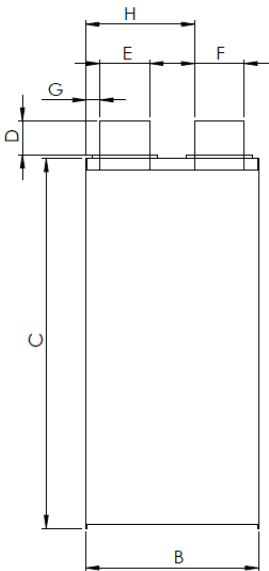
## Capacity / Voltages

Typical	22.00 Ah	Voltages	Nominal	3.7 V
	81.4 Wh		Maximal	4.2 V
			Minimal	2.75 V

## Characteristics

Discharging	Ultrafast	5 – 7 C	Charging	Ultrafast	2 C
	Fast	3 C		Fast	1 C
	Standard	0.5 C		Standard	0.5 C
Temperatures	Discharge	-20-55°C	Charge	0-45°C	
Energy Density	Gravimetric	273 Wh/kg	Volumetric	620 Wh/l	

## Dimensions



<b>A</b>	Thickness	10.3 ± 0.3 mm
<b>B</b>	Width	74 ± 1 mm
<b>C</b>	Length	172 ± 2 mm
<b>D</b>	Tab length	18 ± 4mm
<b>E</b>	Tab width	25 ± 0.5mm
<b>F</b>	Tab width	25 ± 0.5mm
<b>G</b>	Tab margin	6.5 ± 2mm
<b>H</b>	Tab margin	42.5 ± 2 mm
<b>I</b>	Tab thickness +	0.3 ± 0.05 mm
<b>I</b>	Tab thickness -	0.2 ± 0.05mm
	Weight	298 ± 12g

The information contained herein is for reference only and does not imply a performance guarantee or a product warranty. Specifications and characteristics are subject to change without prior notice. General tolerance according to ISO 2768-m-K. For more information and detailed specifications, please request the extended datasheet.



**WELION Energy Europe**

Contact Felix Greuel | mail: [info@welion-energy.com](mailto:info@welion-energy.com) | phone: +4915115521969

About us [www.welion-energy.com](http://www.welion-energy.com)